

FARS/BP-0E

cylindrical photosensors

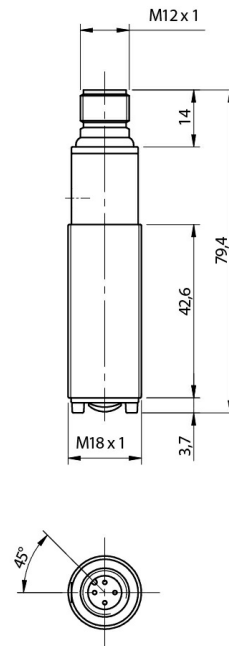


Micro Detectors

Italian Sensors Technology



Indicative image



Detection properties

Nominal sensing distance	30..130mm with white target 100 x 100mm
Thermal drift of Sr	$\leq 10\% S_r, \leq 3\% S_r @ S_d > 60\text{mm}, < 110 \text{ mm}$
Repeat Accuracy	5%
Sensitivity adjustment	Trimmer

Application

Function Principle	Background suppression
Optic position	Axial

Outputs

Output type	PNP
Output Function	NO+NC
Switching frequency	1KHz

Electrical data

Operating Voltage	10...30Vdc
No-Load supply current	≤25mA
Load current	≤100mA
Leakage current	≤10μA
Output voltage drop	2V max. IL =100 mA
Max ripple content	10%
LED indicators	Yellow (output state)
Time delay before availability	≤200ms
Short-circuit protection	Short circuit (autoreset)
Emission	Red (660 nm)
Interference to external light	5000lux (incandescent lamp), 10000lux (sunlight)

Mechanical data

Dimensions	M18 x 1 /L =79,4mm
Weight	30g
Housing Material	PBT / PC plug
Connections	M12 plug
Active Head Material	PMMA
Tightening torque	1Nm
Operating temperature	- 25°C...+ 70° C (Without freeze)
Diameter/Dimension	M18

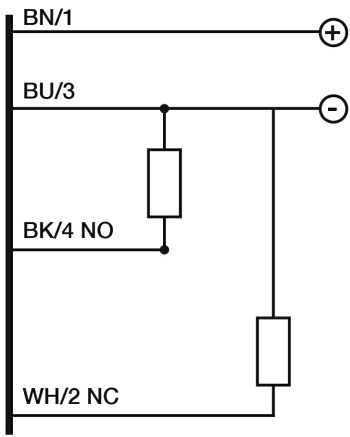
Test/Approvals

Approvals	CE, cULus
EMC compatibility	EN 60947-5-2
Shocks and vibrations	Vibration IEC 60068-2-6 / Shock IEC 60068-2-27
Degree of protection	IP67

Accessories

Supplied Accessories	nuts M18 x 1, screwdriver
----------------------	---------------------------

ELECTRICAL DIAGRAMS OF THE CONNECTIONS

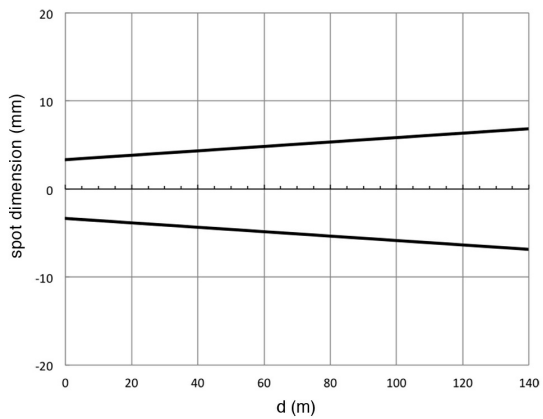


CONNECTOR

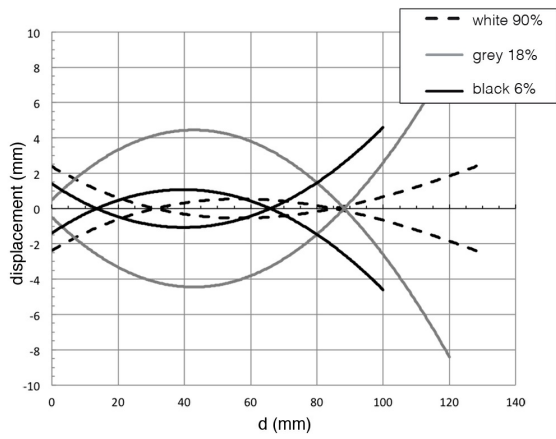


RESPONSE CURVES

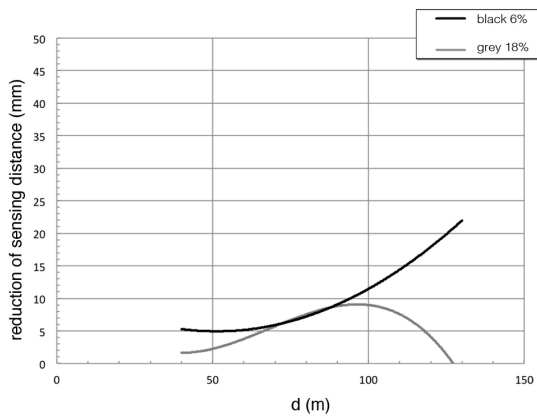
Dimensione Spot



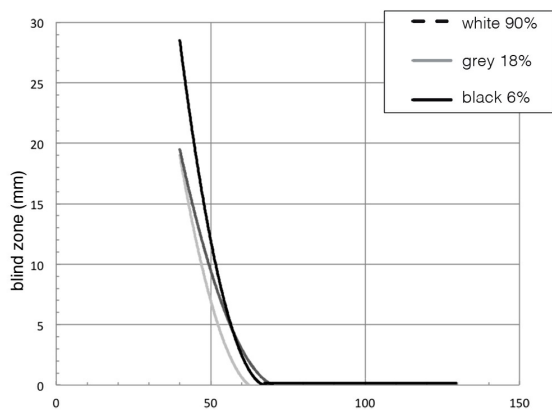
Disassamento Parallelo



Riduzione distanza di rilevamento



Zona cieca



Fax 059 253973

E-mail info@microdetectors.com