

CV/RB6-40

optical fibers

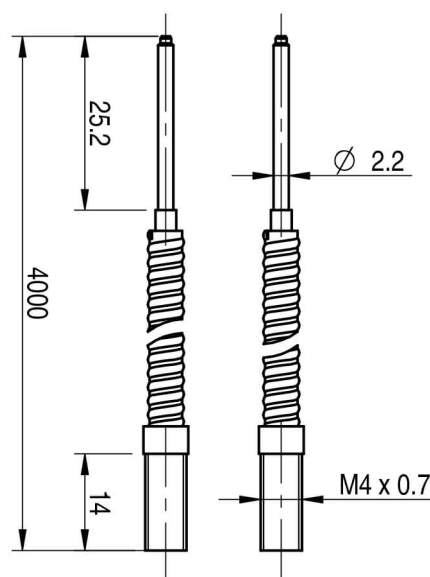


Micro Detectors

Italian Sensors Technology



Indicative image



Detection properties

Distance with SSF	90 mm
Distance with FS1	90 mm
Distance with FX3	600 mm
Distance with FX4	900 mm
Distance with F1R	410 mm

Application

Function Principle	Through-beam P/R
Description	Glass fibres up to 200°C

Mechanical data

Operating temperature	-40°C....+200°C (posa fissa)
-----------------------	------------------------------

1	4
---	---

1 mm	1
------	---

M4 con sleeve	M4
---------------	----

vetro, ETM, inox	glass, ETM, inox
------------------	------------------

ottone nichelato	nickel-plated brass
------------------	---------------------

Test/Approvals

Degree of protection

IP67

Accessories

Accessories to be ordered
separately

vedi serie AF

M.D.Micro Detectors S.p.A.

Strada S.Caterina, 235

41122 Modena (MO)

Tel. 059 420411

Fax 059 253973

E-mail info@microdetectors.com

date of printing

06/05/2020 15:59:44