

# CF/RBA-10

optical fibers

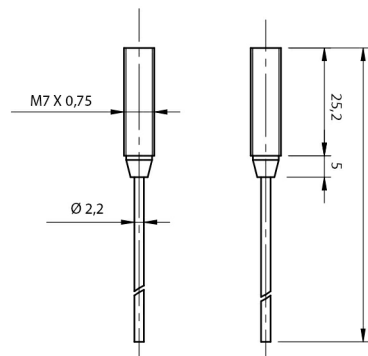


Micro Detectors

Italian Sensors Technology



Indicative image



## Detection properties

Distance with SSF	1.200 mm
Distance with FS1	1.200 mm
Distance with FX3	8.000 mm
Distance with FX4	10.000 mm
Distance with F1R	4.000 mm

## Application

Function Principle	Through-beam P/R
Description	Plastic optical fibres

## Mechanical data

Operating temperature	-40°C....+70°C (posa fissa)
1	1
1 mm	1 mm
M4 con sleeve	M7 with lenti
vetro, ETM, inox	PE, plastic
ottone nichelato	nickel-plated brass

## Test/Approvals

Degree of protection

IP67

## Accessories

Accessories to be ordered  
separately

ST 28

---

---

### **M.D.Micro Detectors S.p.A.**

Strada S.Caterina, 235

41122 Modena (MO)

Tel. 059 420411

Fax 059 253973

E-mail [info@microdetectors.com](mailto:info@microdetectors.com)

### **date of printing**

07/05/2020 10:27:31